



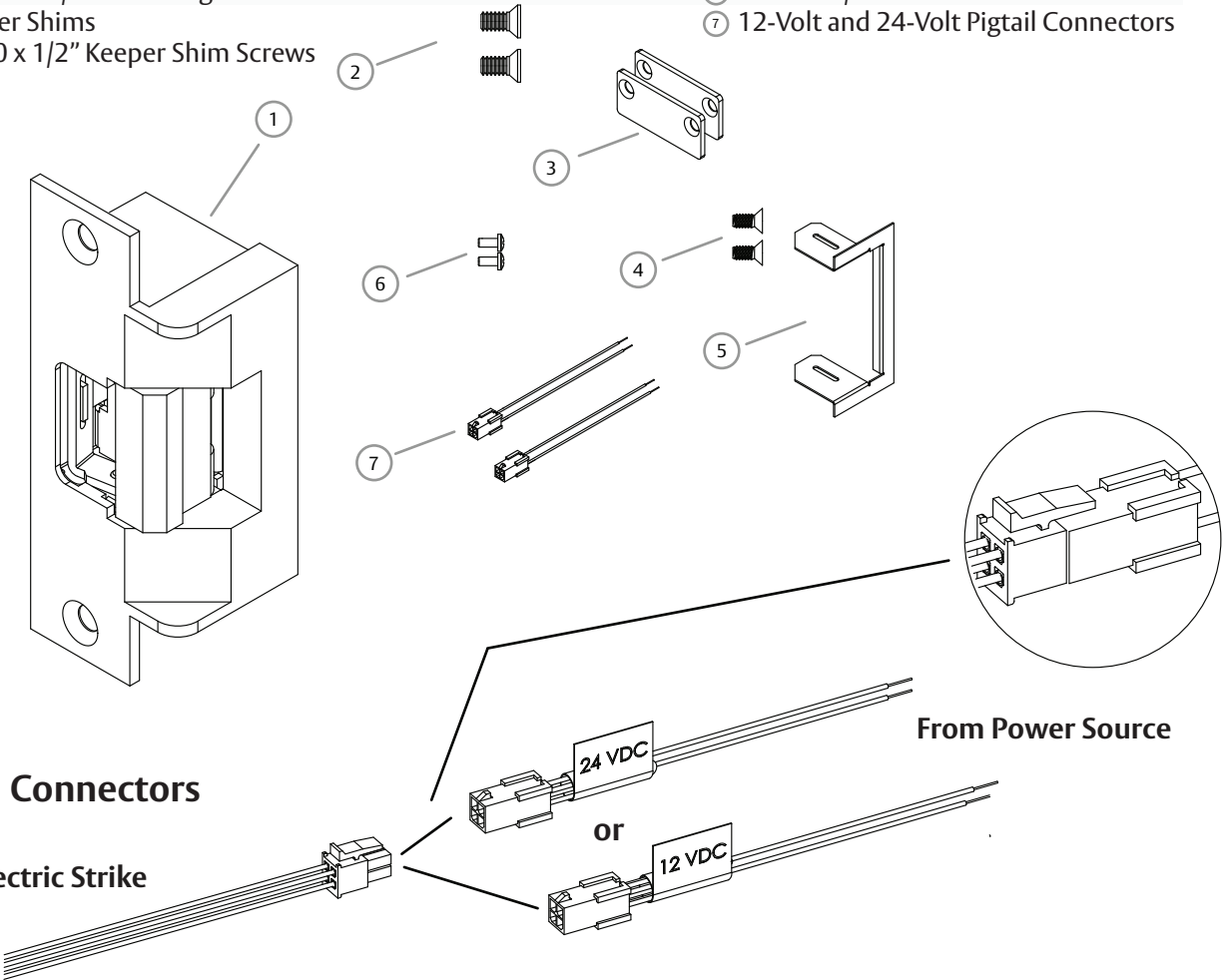
HES, Inc.  
Phoenix, AZ  
800-626-7590  
www.hesinnovations.com



# 7501 Electric Strike Installation Instructions

## Components

- ① 7501 Electric Strike Body
- ② #12-24 x 1/2" Mounting Screws
- ③ Keeper Shims
- ④ #4-40 x 1/2" Keeper Shim Screws
- ⑤ Trim Enhancer
- ⑥ #4-40 x 1/4" Trim Enhancer Screws
- ⑦ 12-Volt and 24-Volt Pigtail Connectors



## Pigtail Connectors

## Specifications

ELECTRICAL RATINGS (Solenoid)	Solenoids are rated at +/- 10% indicated value. * Applies to AC Only: 10% max duty cycle (2 min. max on time)			
	VOLTAGE	12 VDC	24 VDC	12-16 VAC
CONTINUOUS DUTY	0.24A	0.12A	-	-
INTERMITTENT DUTY*	-	-	0.24-0.32A	0.12A

MINIMUM WIRE GAUGE REQUIREMENTS	VOLTAGE	
	12 VDC	24 VDC
200 feet or less	18 gauge	20 gauge
200 - 300 feet	16 gauge	18 gauge
300 - 400 feet	14 gauge	16 gauge

## Ratings

**Static Strength:** 1,500 lbs  
**Dynamic Impact:** 70 ft-lbs  
**Endurance:** 500,000 cycles

## UL294 Performance Levels

**Destructive Attack:** Level 1 (No attack test)  
**Line Security:** Level I (No Line Security)  
**Endurance:** Level IV (100,000 cycles)  
**Standby Power:** Level I (No secondary power source)

**NOTE 1:** Before electrically connecting the device, the input voltage must be verified using a multimeter. Many power supplies and low voltage transformers operate at higher levels than listed. Any input voltage exceeding 10% of the electrical specification (See Page 1) may cause severe damage to the unit and will void the warranty.

**NOTE 2:** Installation wiring for the product and wiring methods shall be in accordance with the National Electrical Code, ANSI/NFPA 70.

## Preparing the Frame

1. PREPARE door jamb per the appropriate template detail on Page 3.
2. **IF** using the Latchbolt Monitor (LBM), **THEN SEE "LBM Wiring"** on Page 2.

## Installation

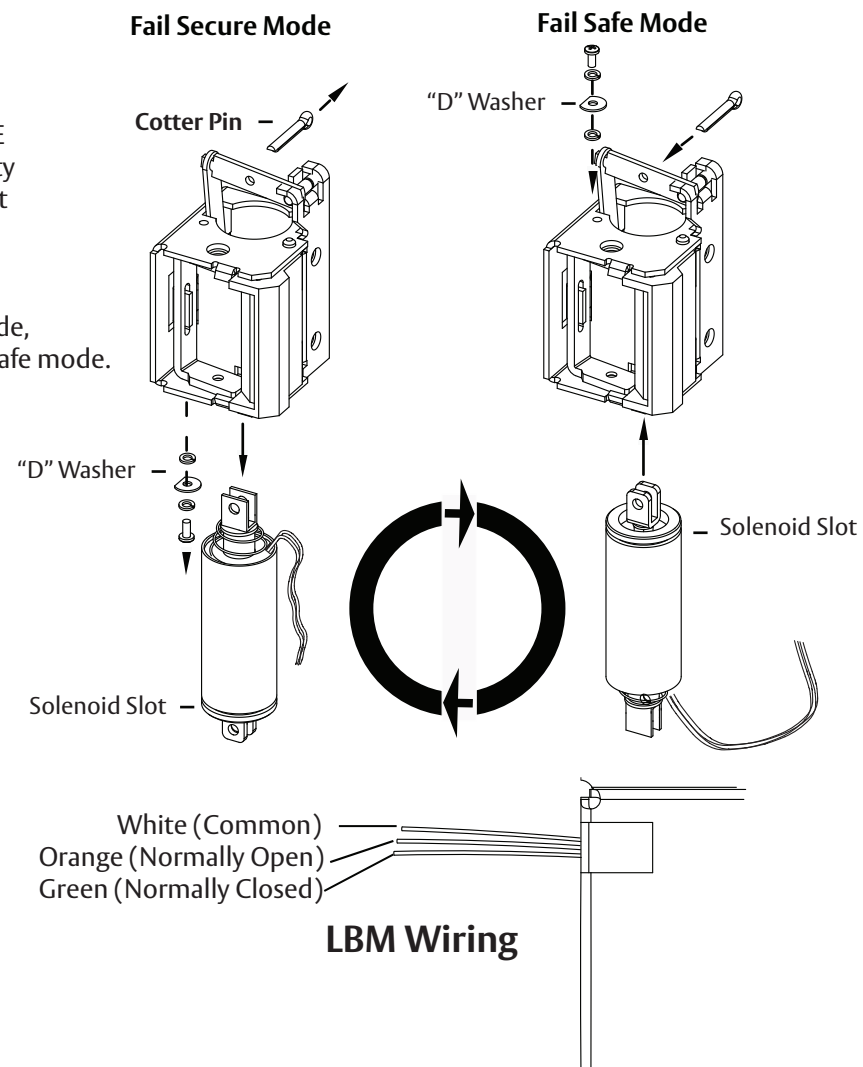
**NOTE:** For 12 VDC, the Plug In Connector (pigtail) marked "12 VDC" should be used; for 24 VDC, the pigtail marked "24 VDC" should be used.

1. CONNECT pigtail connector to the electric strike and to power source (See Page 1).
2. **IF** Operation Mode must be changed, **GOTO** and **PERFORM** steps in "Converting the Operation Mode" section.
3. INSTALL the electric strike in the jamb cutout using the #12-24 x 1/2" mounting screws.
4. INSTALL keeper shims as shown on Page 3, if necessary.
5. INSTALL the trim enhancer as shown on Page 3, if necessary.

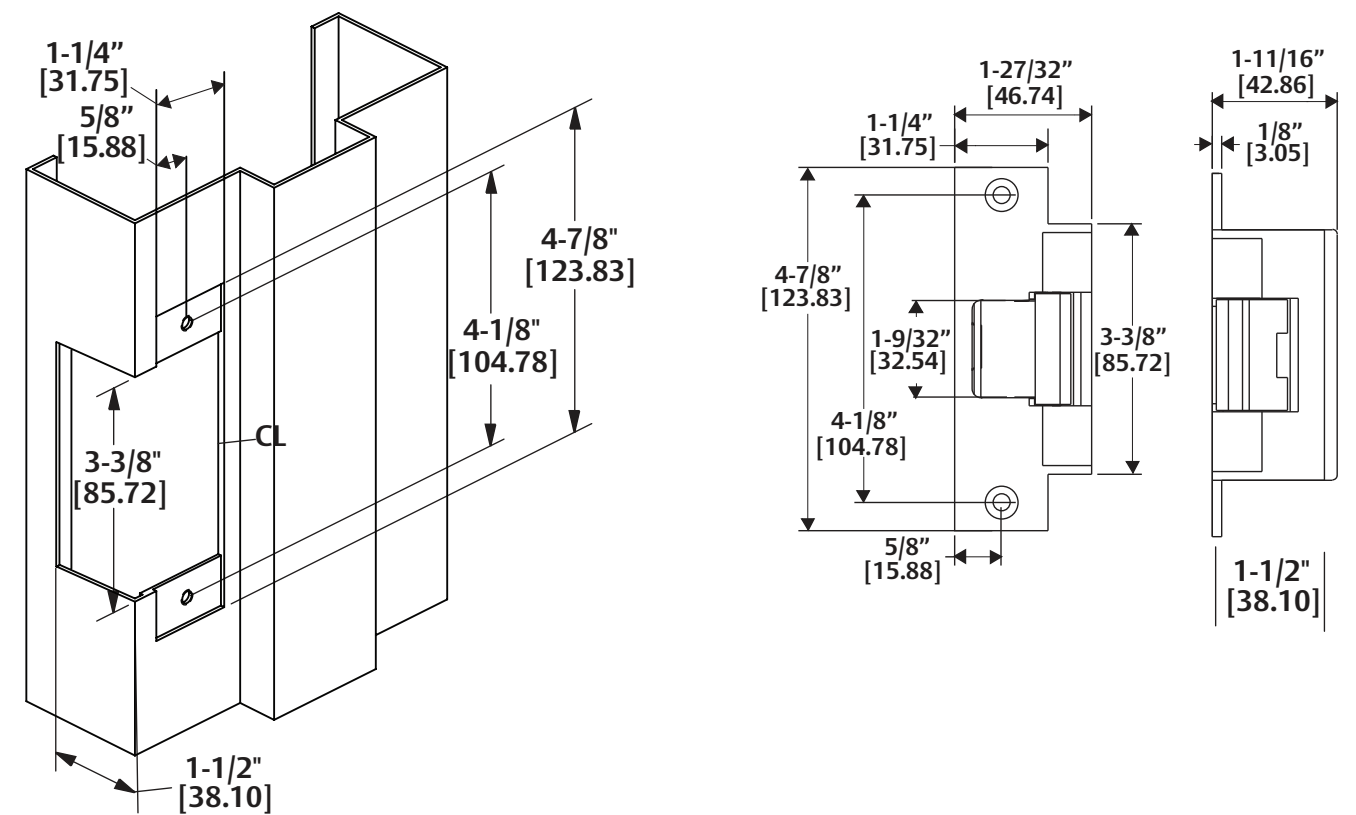
## Converting the Operation Mode

**NOTE:** The suitability of the locks in the FAIL SECURE OPERATION mode is up to the local Authority Having Jurisdiction (AHJ) and emergency exit hardware may be required in such installations.

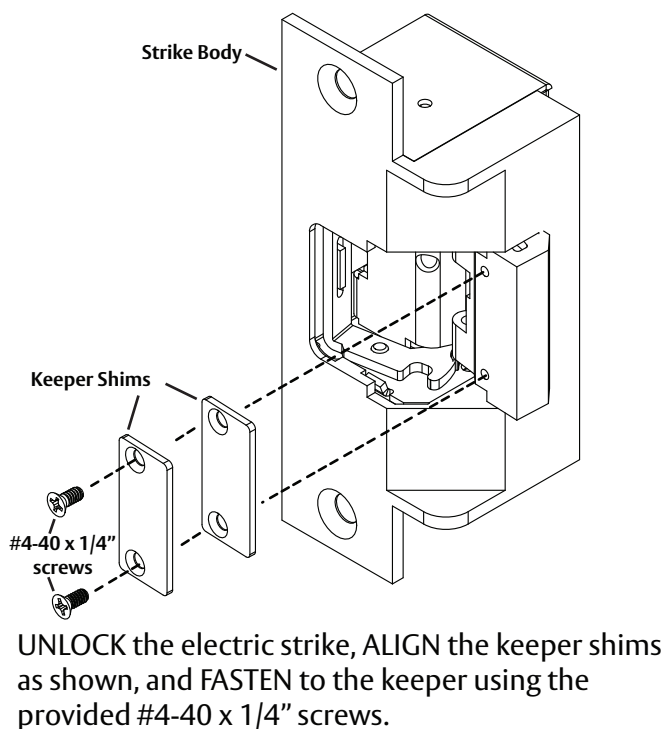
1. Because the electric strike ships in fail secure mode, COMPLETE the following steps to convert to fail safe mode.
2. REMOVE the cotter pin from the solenoid linkage.
3. REMOVE the solenoid mounting screw and washers.
4. REMOVE the solenoid from the keeper module.
5. TURN the solenoid upside down, and RE-INSERT it into the keeper module.
6. RE-INSTALL the mounting screw and washers at the opposite end of the keeper module, and ENSURE the "D" washer is positioned firmly into the solenoid slot.
7. REPLACE the cotter pin to secure the solenoid linkage.



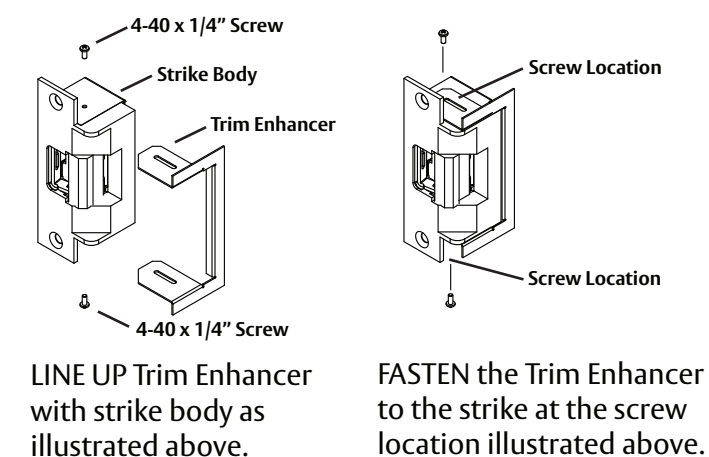
## 7501 Template & Dimensions



## Installing the Keeper Shims



## Installing the Trim Enhancer



**NOTE:** It may be necessary to enlarge the cutout to accommodate the added thickness of the Trim Enhancer & screws.